

## Refrigeration Equipment 2-Door Refrigerated Work Top 48" Long

ITEM # \_\_\_\_\_

MODEL # \_\_\_\_\_

NAME # \_\_\_\_\_

SIS # \_\_\_\_\_

AIA # \_\_\_\_\_



738300 (KCHUCWT48R)

2-Door Refrigerated Work Top  
48" Long

### Short Form Specification

Item No. \_\_\_\_\_

2-door refrigerator counter top, with worktop, with exterior back panel, exterior bottom panel, and exterior top panel in galvanized steel, exterior side panel in 430 stainless steel; interior back, top and bottom panels in 304 stainless steel. Fin & tube condenser to improve the performances in high temperature environments. Automatic Defrost Cooling System and temperature control. Vinyl heavy duty adjustable, easy to handle and clean shelves. External temperature display.

R600a gas in refrigeration circuit.

ETL Safety and Sanitation certified.

3/5 Years warranty.

### Main Features

- External temperature display.
- Removable gasket for easy cleaning operations.
- Fin & Tube Condenser improves performance in high temperature environments.
- Automatic Defrost Cooling System provides worry-free performance.
- Electronic Temperature Control, quick and simple to set, with control display for easy monitoring.
- Heavy duty Vinyl coated steel shelves.
- Cabinet completely insulated with high density polyurethane for low environmental impact.

### Construction

- Stainless steel interior and exterior, durable and easy to clean for daily commercial use.
- Self-closing door with 90-degree stay-open feature.
- Heavy duty casters.
- Pre-wired heavy duty power cord.
- Heavy duty door hinges.
- Magnetic gasket removable without tools for easy cleaning.

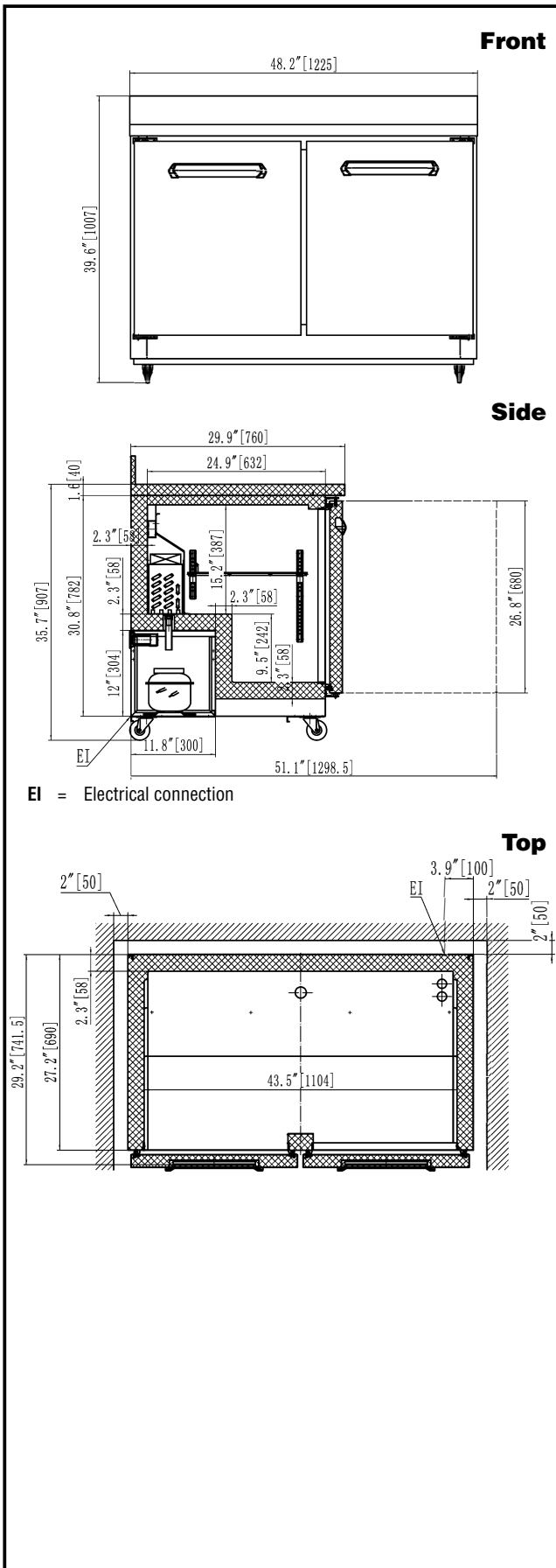
### Sustainability

- High efficiency components to minimize the energy consumption still guaranteeing the highest performances.
- CFC and HCFC free (ecological refrigerant type: R600a).

### Optional Accessories

- 1 ADJUSTABLE FOOT PNC 206445
- Drawer Kit for 48" Mega Top, Salad Top, Undercounter and L/R section of 70" Salad & Mega Top and 72" Undercounter PNC 880616

APPROVAL: \_\_\_\_\_



## Electric

Supply voltage:	738300 (KCHUCWT48R)	115 V/1 ph/60 Hz
Electrical power, max:		0.31 kW
Plug type:		USA NEMA 5-15P

## Capacity:

Gross capacity:	12 cu.feet
-----------------	------------

## Key Information:

Door hinges:	1 Left+1 Right
External dimensions, Width:	48 1/4" (1225 mm)
External dimensions, Depth:	29 15/16" (760 mm)
External dimensions, Height:	39 5/8" (1007 mm)
Number and type of doors:	2 Full
Internal Dimensions (depth):	24 13/16" / (630 mm)
Internal Dimensions (height):	24 7/16" / (620 mm)
Internal Dimensions (width):	43 5/16" / (1100 mm)
Shipping height:	42 1/8" (1070 mm)
Shipping weight:	265 lbs (120 kg)
Shipping volume:	38.24 ft <sup>3</sup> (1.08 m <sup>3</sup> )
Number and type of grids (included):	2 - Vinyl-Coated Steel
Type of external material:	Stainless Steel
Type of internal material:	Polystyrene
Warranty:	3 / 5 years
Approvals	ENERGY STAR; ETL C&US; ETL SANITATION

## Refrigeration Data

Compressor power:	1/8 hp
Operating temperature min.:	32 °F
Operating temperature max.:	41 °F
Condenser type:	Fin & tube
Defrost type:	Auto Defrost

## Sustainability

Current consumption:	3 Amps
Refrigerant type:	R600a
GWP Index:	3
Refrigerant weight:	75 g

